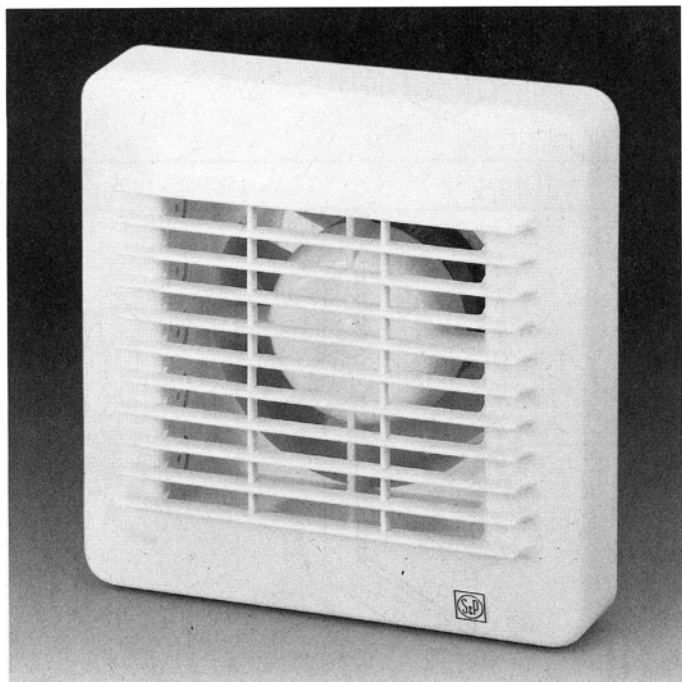
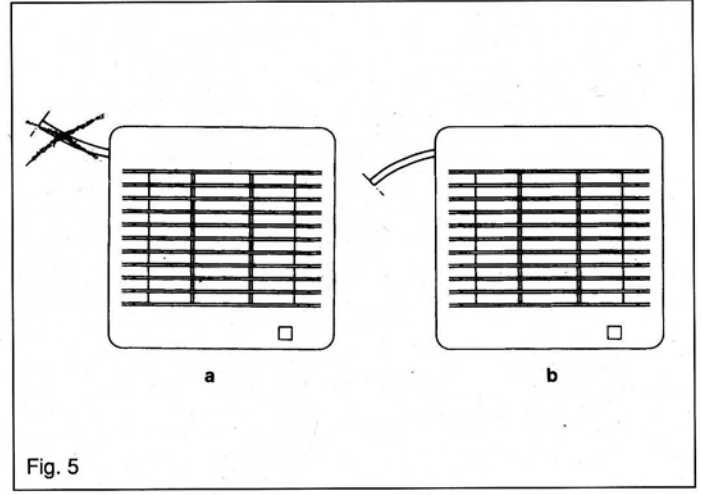
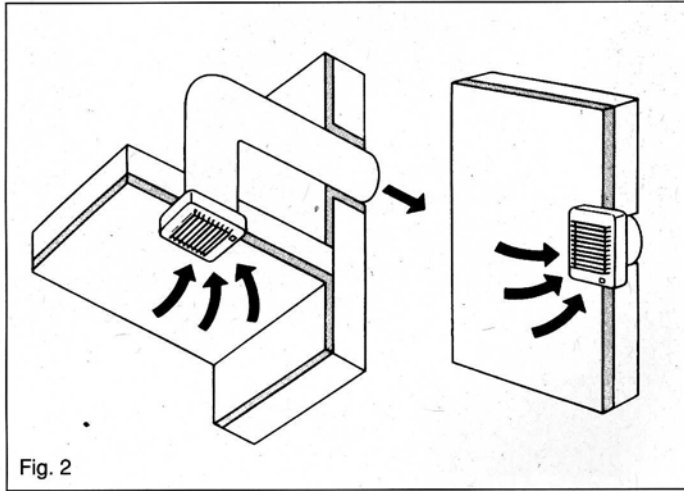
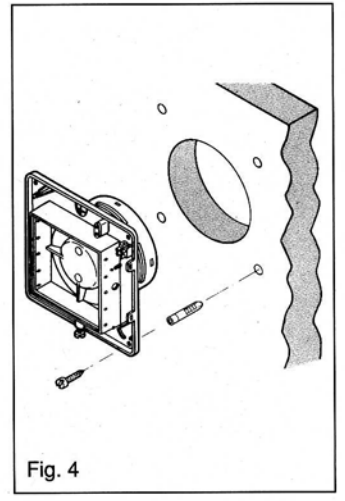
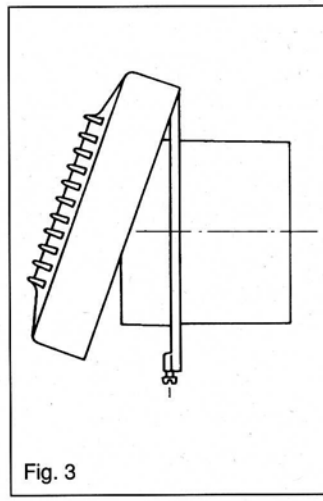
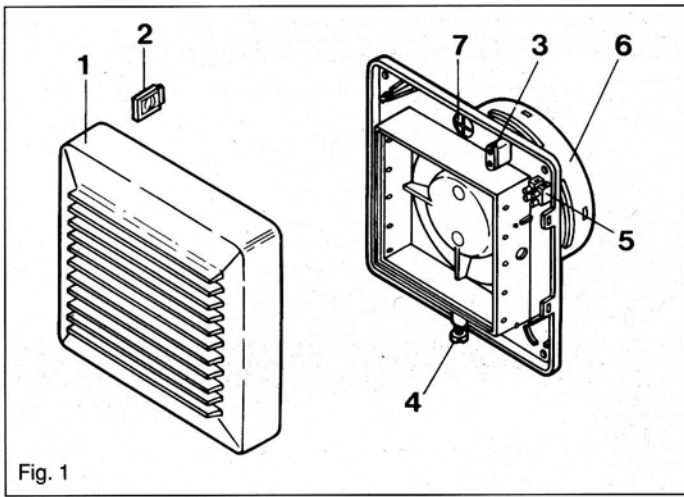


EDM-100 12 V





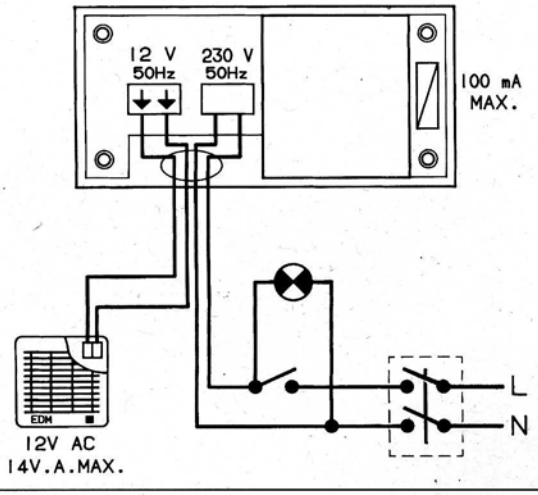
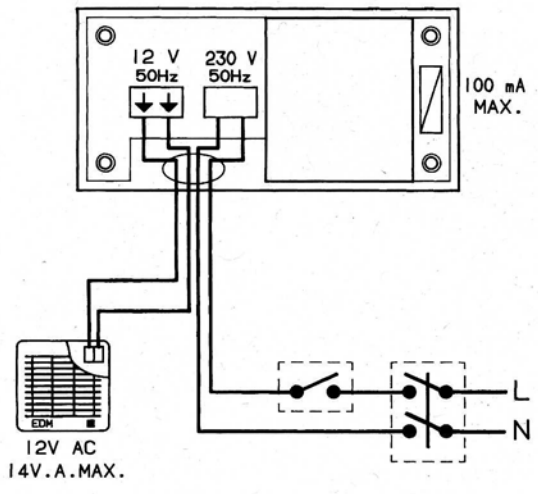


Fig. 6

FITTING AND WIRING INSTRUCTIONS

Important recommendations

- The installation must be in accordance with the electrical standards and regulations in force in your country.
- If the fan operates as an extractor in a room with a boiler or any other type of appliance requiring air for combustion check that air replacement inlets are sufficiently sized.
- Ensure that the values of voltage and frequency of main supply are compatible with those indicated on the rating plate of the appliance.
- The EDM-100 12V Series fans are of Class III.
- Check that the appliance is in perfect condition when unpacking it, as any manufacturing fault is covered by the S&P guarantee.

Figure 1

- 1- Protective grille
- 2- Side cable entry
- 3- Clamp
- 4- Clamping screw
- 5- Electrical connections
- 6- Outlet spigot
- 7- Rear cable entry

Installation

The EDM-100 12V fans are Safety Extra Low Voltage bathroom, shower or toilet extractors, designed for installation directly in the spray area, with an air discharge through a wall into the individual duct (100mm diameter) or through a communal duct system.

The extractor can be fitted in ceilings and walls (fig.2):

- Cut a $\varnothing 105$ mm diameter hole in the wall
- Loosen the clamping screw (4) of the grille (1) (fig.3)
- Offer up the appliance and mark the location of the fixing screws (fig.4)
- Fix the adhesive gasket to the outlet spigot (6)
- If the extractor is connected to a duct, check that there are not obstructions before connecting the duct to the fan discharge (6)
- Fix the unit to the wall with the 4 screws supplied in the packing

Before wiring, check that the wheel turns freely

Wiring instructions

The extractor must be connected to a safety isolating transformer with an output voltage of 12V- (CT-12/14) which must be mounted outside the bathroom or shower area. The cable to the fan should be of 1,5 mm² in section and can be concealed or surface wired. If the cable is connected through the side cable entry (2), this should be done as shown fig.5 to prevent condense moisture entering the fan.

For wiring connection follow diagram fig.6.

Warning: The EDM-100C 12V model is provided with an automatic louvre shutter, thermo-electrically operated with delayed action when the fan is switched on.

Technical caractéristiques

EDM-100 12V fan

Supply voltage : 12 V~

Power: 8W (EDM-100S) 13W (EDM-100C)

Transformer CT-12/14

Input: 220-240V 50Hz

Output: 12V~

Power: 14W