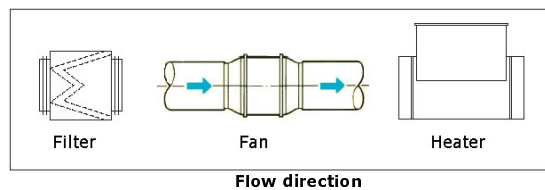


Please check the unit on unpacking and before operation. Any defect in workmanship or materials is covered by the VENTURE INDUSTRIES guarantee.

The DH, RH are electric duct heaters manufactured in accordance with European safety standards. Electric heaters designed for installation directly in ventilation ducts. Casings in welded steel sheet, powder painted. The heating elements are designed in stainless material (SS2337). Duct heaters should not be dimensioned for higher outlet temperature than +40°C. The air speed through the heaters should not be lower than 1.5 m/s. The heaters are equipped in double security overheating system (ZZ- connectors shown on wiring diagrams). It is recommended to connect it to external protection system (i.e. switch, relay, etc.)

SAFETY AND SITE STORAGE

The safety equipment required to prevent accidents at the installation of the fan shall be in accordance with the regulations of the country concerned. Check all the data on the nameplate to make sure the information corresponds to your order. If the heater is not to be used directly, it must be stored in a dry storeroom, free from vibrations and chemicals.



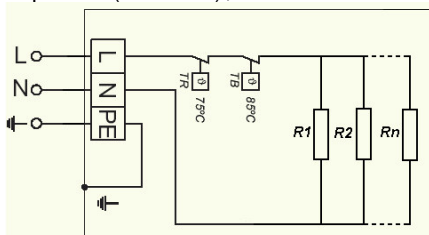
MAINTENANCE INSTRUCTIONS AND STARTING

Qualified personnel should carry out installation and electrical connection. The “RESET” button shall be visible and available for servicing personnel in case of overheating system operation.

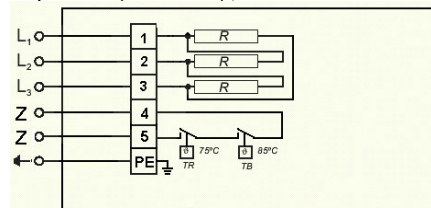
Recommended sequence of ventilation system: filter – fan – heater. Any connections or other equipment should not be mounted closer than 0.5m from heater. Electrical connection should be carried out in accordance with wiring diagram (see below) and the regulations of the country concerned. After that, do all mechanical inlet / outlet activities and check if there were no tools left inside the heater.

It is recommended to inspect the heater and clean if necessary every 3 months. Any objects or dust set on heating elements may cause fire and/or serious injury. When the internal temperature occurs higher than +40°C, one of the double overheating system turns on, if connected to external protection system (except single phase models: self switch-off and self switch-on after cooling down). In that case operator should disconnect input power so insulation gap as to be seen, localise the reason and then remove it.

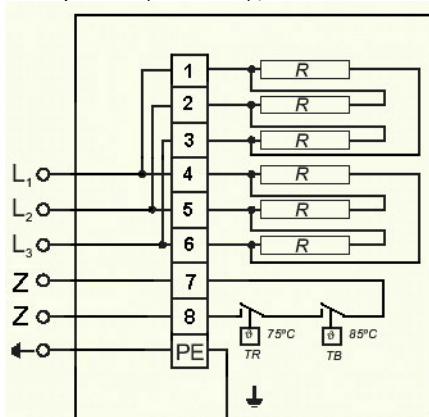
1 phase (1x230V), 1 section:



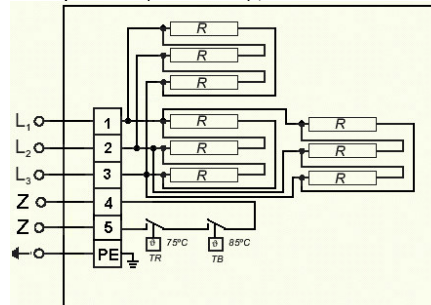
3 phase (3x400V), 1 section:



3 phase (3x400V), 2 sections:



3 phase (3x400V), 3 sections:



Do not dismantle or interfere with the unit in any way other than as required in these installation instructions. Since any interference will automatically cancel the Venture Industries guarantee.