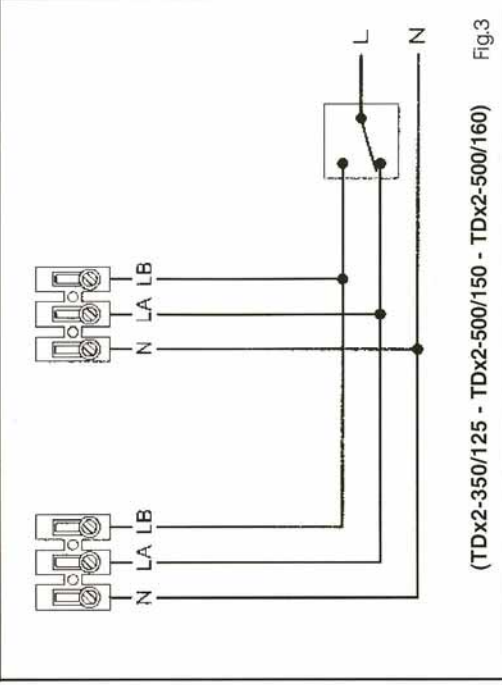
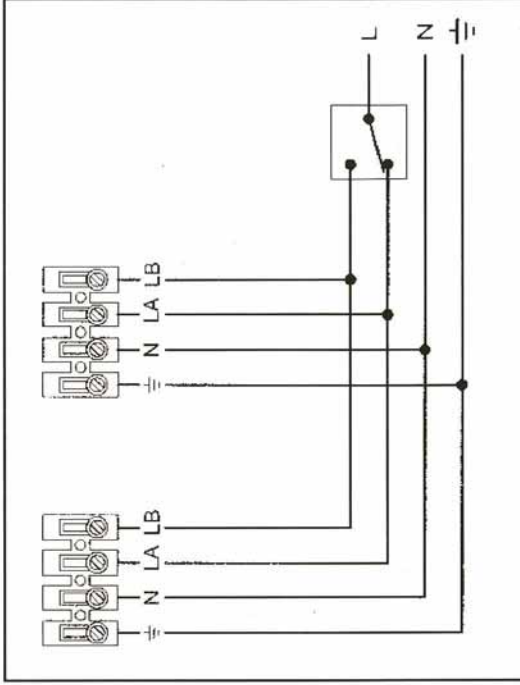
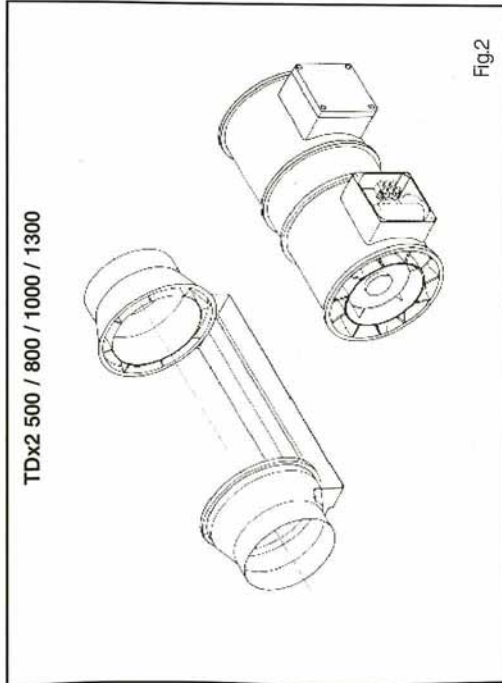
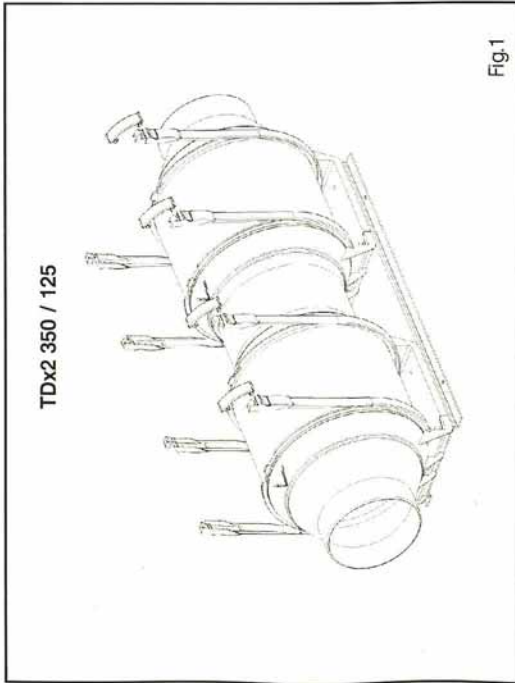


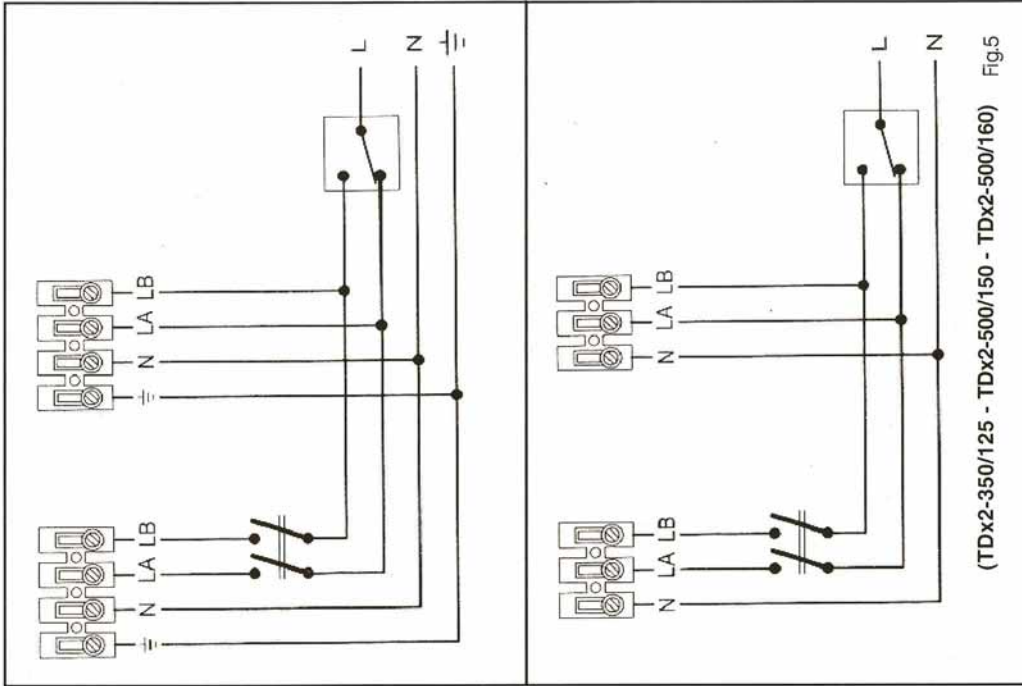
TDx2-350/125
TDx2-500/150
TDx2-500/160
TDx2-800/200
TDx2-1000/250
TDx2-1300/250



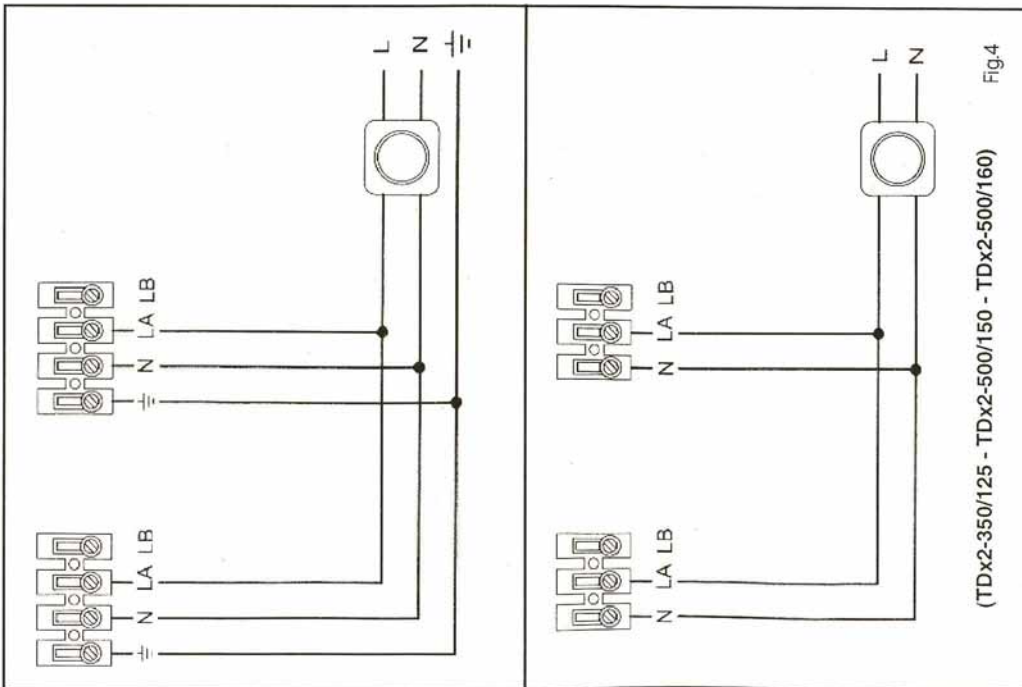
Extractores para conductos
Extracteurs pour gaines
In line duct fans
Zwischen-Rohr-Ventilatoren
Kanaal Ventilator



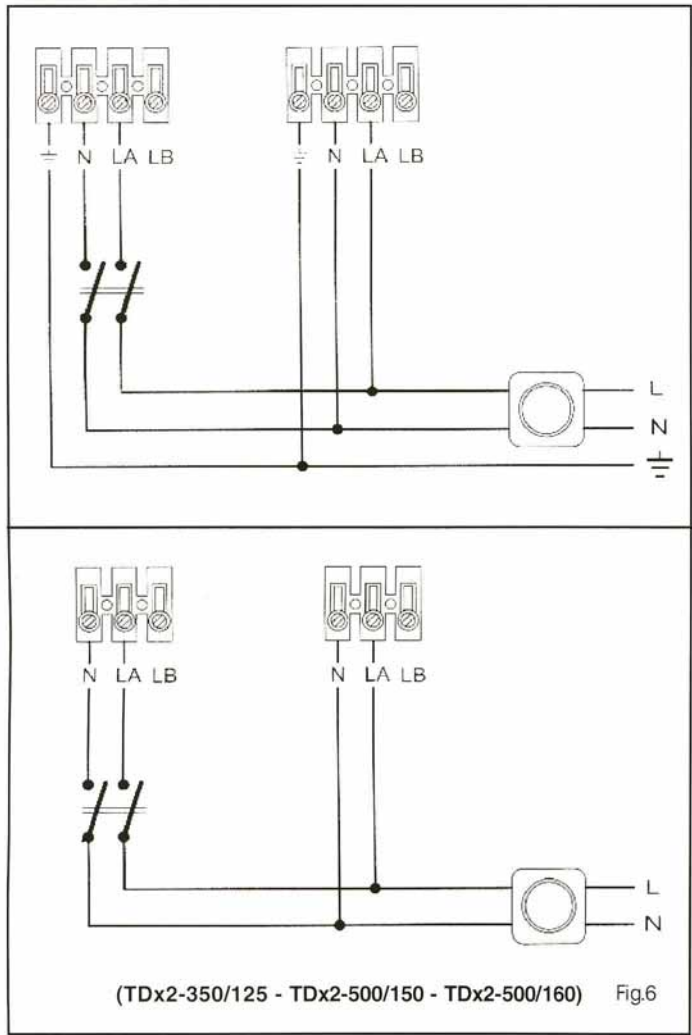




(TDx2-350/125 - TDx2-500/150 - TDx2-500/160) Fig.5



(TDx2-350/125 - TDx2-500/150 - TDx2-500/160) Fig.4



ENGLISH

TDX2 - MIXVENT

Installation and wiring instructions for in-line duct fans.

The TDx2 range of in-line duct extractor fans have been manufactured in accordance with the rigorous standards of production and quality control laid down by the international Quality Standard ISO 9001. All components have been checked and each of the finished products has been tested at the end of the manufacturing process.

We recommend that you check the following when receiving this product:

- That it is the correct size and model.
- That the details on the rating label are those you require; voltage, frequency, performance...

IMPORTANT SAFETY INFORMATION

- The installation should always be carried out in accordance with all current applicable Standards to the country in which the product is installed.
- The installation should always be carried out by a suitably qualified and competent person(s).
- These fans are not for stand-alone use. They are designed to be incorporated into ducted systems, machines or where safe operation has been ensured by providing applicable protection to moving parts.

- Do not use this product in, or to extract from, potentially hazardous or explosive atmospheres.
- If the extractor operates in a room with a boiler or any other type of appliance requiring air for combustion, check that air replacement inlets are sufficiently sized.
- The extractor outlet must not be connected to a duct used to exhaust smoke or fumes from any appliance that uses gas or any other type of fuel.

INSTALLATION

- This unit must not be installed outside, unless covered by a suitable weatherproof enclosure.
- For installation a support bracket is provided with the extractor which allows the motor and impeller assembly to be fitted or removed without dismantling the adjacent ducting.
- For installation, remove the motor and impeller assembly from its support bracket (Fig.1: TDx2 350 – fig.2: TDx2 500, 800, 1000 and 1300).
- Fix the support bracket in position where the extractor is to be located.
- Connect the inlet and outlet ducting. In order to avoid losses in performance we do not recommend that the fan is used in conjunction with ducting of a lesser diameter than the fan connection spigots. If the extractor is connected to flexible ducting, then the ducting must be expanded as much as possible.
- The fan should be installed to

ensure minimum vibration and noise transmission to surrounding ductwork and building frames. Antivibration mountings and sound attenuating accessories are available. Please contact your local distributor.

- The fan should always be installed so that safe operation and maintenance can be ensured.
- Before installing the unit ensure the impeller is running freely and there are no obstructions to the airflow.

ELECTRICAL CONNECTION

- Before Installation and Wiring **ENSURE THE MAINS ELECTRICAL SUPPLY IS DISCONNECTED!**
- The electrical installation must include a double pole switch with a contact clearance of at least 3 mm, correctly sized and in accordance with the electrical standards of the country of installation.
- Ensure that the voltage and frequency of the electrical supply match the information stated on the Data Plate of the unit (maximum recommended tolerance of Voltage (V) and Frequency (Hz) $\pm 5\%$).
- The standard fans are fitted with single-phase 2-speed motor. All motors are also 100% speed controllable via electronic voltage regulating speed controllers.

Wiring diagram of the two motors together:

- Connection to a change over switch for two speeds operation fig.3.

- Connection to a speed controller fig.4.

Wiring diagram of the two motors separately:

Very important: if the operation of only one motor is required, it will be the one fitted at the inlet side of the unit; otherwise the efficiency of the unit would be impaired.

- Connection to a change over switch for two speeds operation fig.5.
- Connection to a speed controller fig.6.
- Before operation, check all connections are correct and there are no obstructions to the airflow.
- On connecting the electrical supply ensure the direction of rotation and airflow correspond with the direction of airflow / rotation arrows (sited on unit).

MAINTENANCE

- Before inspection or repair, ensure that the unit is disconnected from the mains electrical supply.
- The fan impeller should be cleaned at least once (1) a year to ensure trouble free operation.
- Do not clean the unit with strong detergents or cleaning fluids. Use a damp (not wet) cloth only for cleaning.

(Soler & Palau, S.A. reserve the right to alter specifications without prior notice)